



**Y5HOME**  
BUILDING A UNIQUE WORLD

# Installation Guide

Y5Home Smart Motion or Door



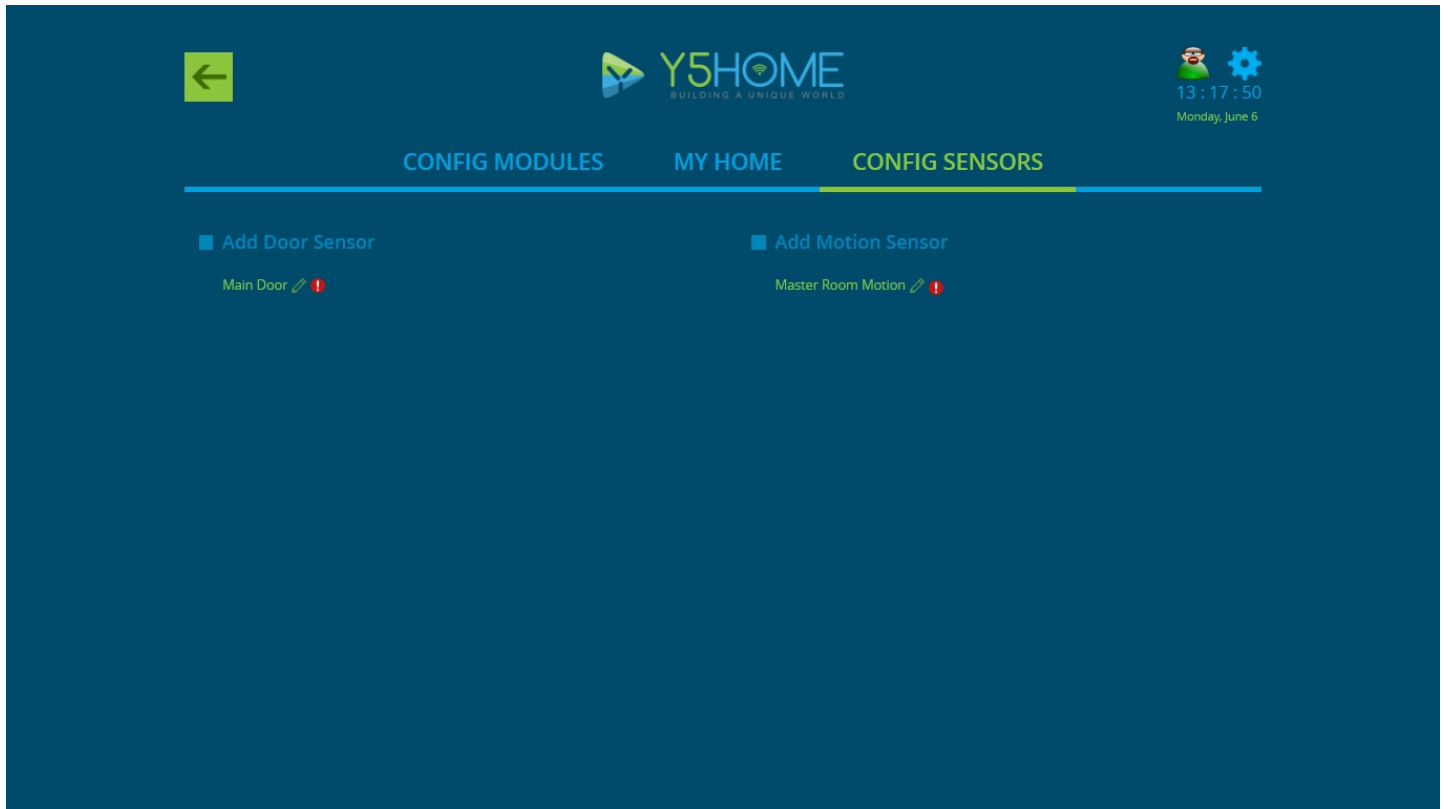
# Configure Switchboard Module

Note: Y5 Door or motion sensor MUST be configured into Y5Box before installing it on wall surface or door

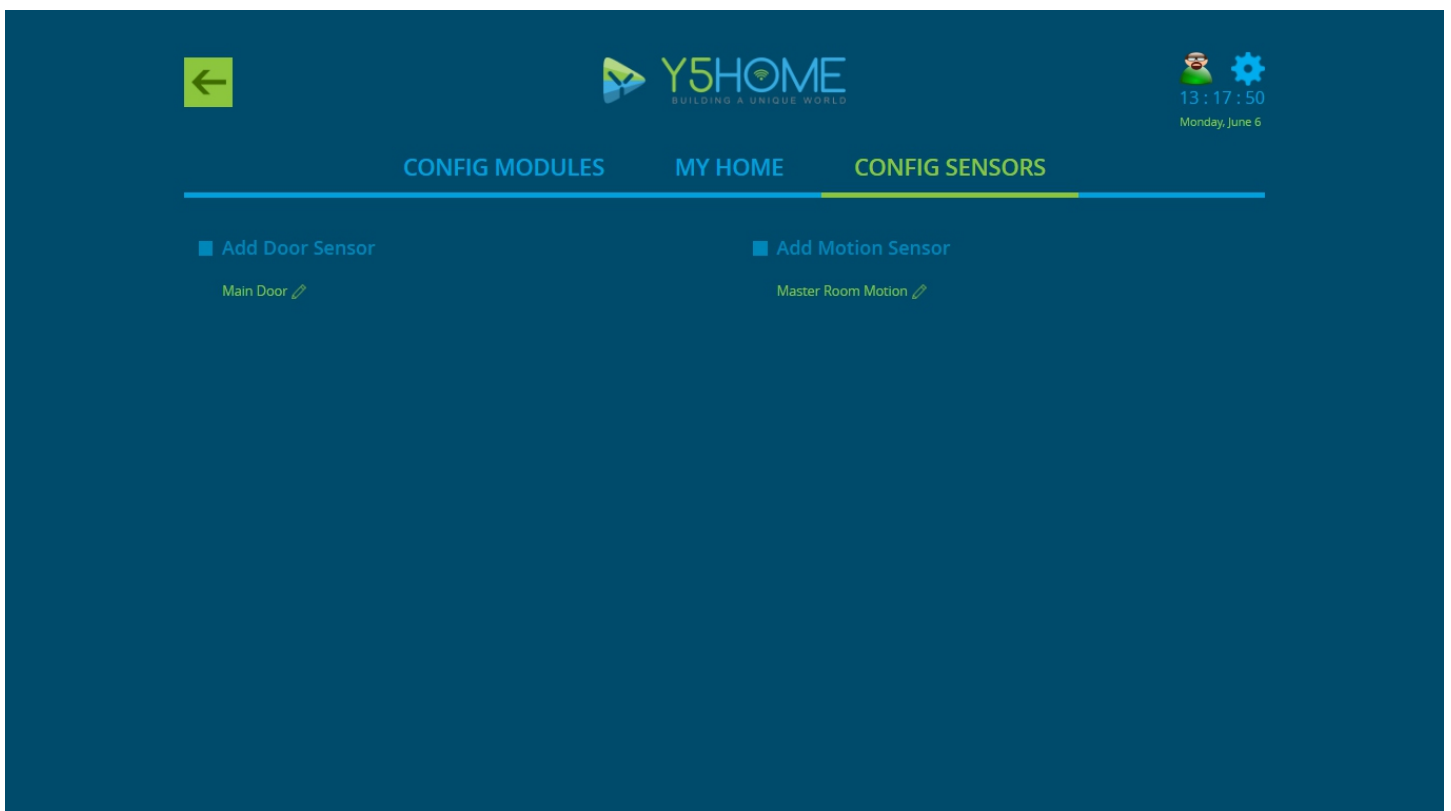
Follow the below mentioned steps to connect the Y5 door or motion sensor with Y5Box using the Y5Home App:

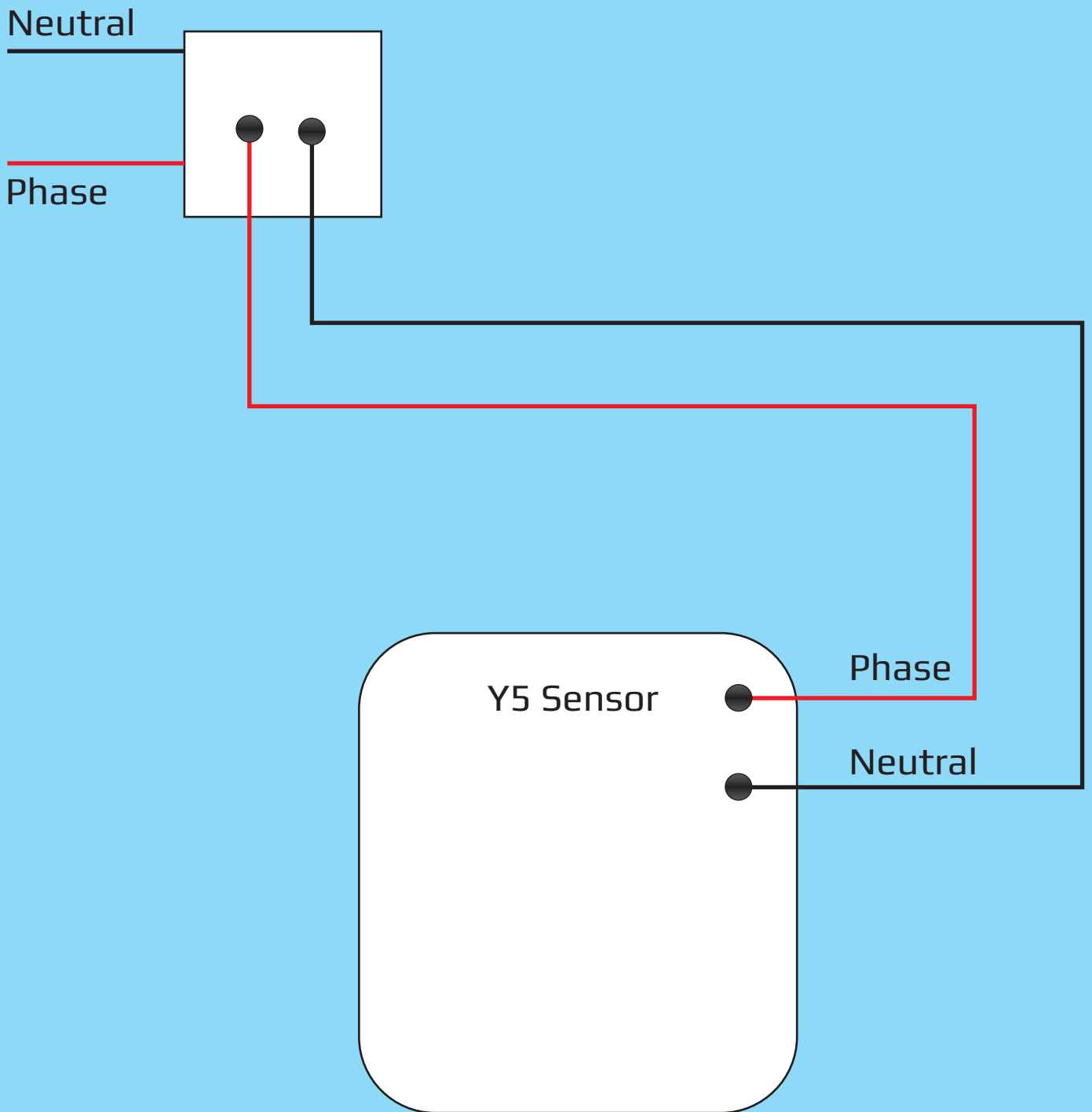
- Open the app (in mobile, desktop or TV)  
(`<ip address:3030>` for Y5Home browser link)
- Click on “Y5Home Smart Automation” widget on homepage
- Click on “CONFIG SENSORS” tab
- Check Add Door/Motion Sensor check box to add Door/Motion Sensor respectively
- Add 16 char sensor ID in Door/Motion Sensor Id field  
(You can see 16 char module id address on Y5 sensor box as a barcode) E.g. 01234567ABCDEF01
- Enter Door/Motion Sensor name and select other parameters as per your requirements
- Click on “Done” button

- Door/Motion Sensor list will be displayed on top of the page with red icon



- Now you can install the Y5 motion/door sensor on wall surface or door.
- It will disappear after few seconds once you go to another tab and come again on "CONFIG SENSOR" tab





For questions or clarifications write to us at [support@y5home.com](mailto:support@y5home.com)